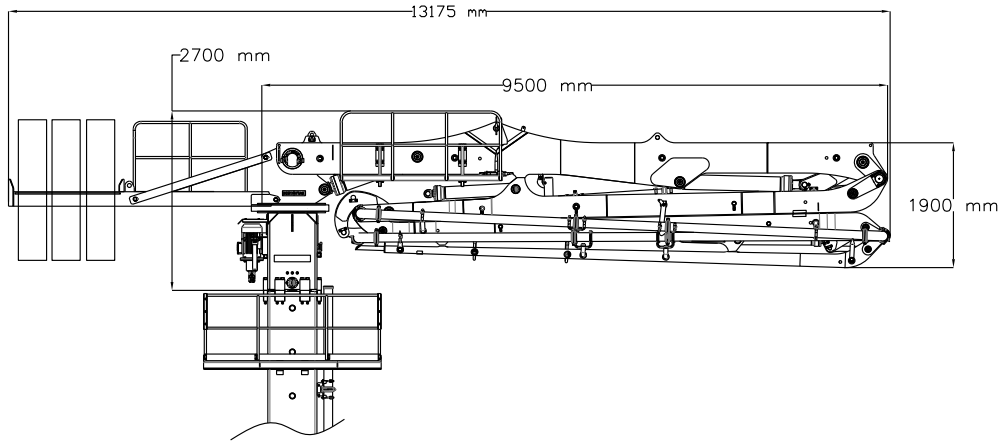


BSD 33 – 4ZT



Bom System	
Boom Type	: 4ZT
Section	: 4
Boom Swing Speed	: 113 sec
Boom Swinging Angle	: 365°
Concrete Pipe Diameter	: 125 mm
Detachable Boom Weight (TW)	: 8,990 kg
(1st.section)	: 4,285 kg
(2nd. section)	: 4,705 kg
Column Support Frame	: 1,300 kg
Drive	: 15 kW Hydraulic-Electric Motor(GAMAK)

- Standart Equipments**
- Wireless Remote Control
 - 1 x 10 m Square Column(3580 hg)
 - 1 x 6 m Square Column (2400 kg)
 - 3 x Counter Balans Weight
 - Balans Beam
 - Mast Equipmens
 - Concrete end Hose
 - 3 x Shaft Frame
 - 3 x Ladder with rail
 - 2 x Ladder
 - 2 x Lifting Cylinder
 - Working platform
 - 1 x Heavy duty Spanner set

- Optional**
- 1 unit of transversal leg foundation base + anchorage bolts

