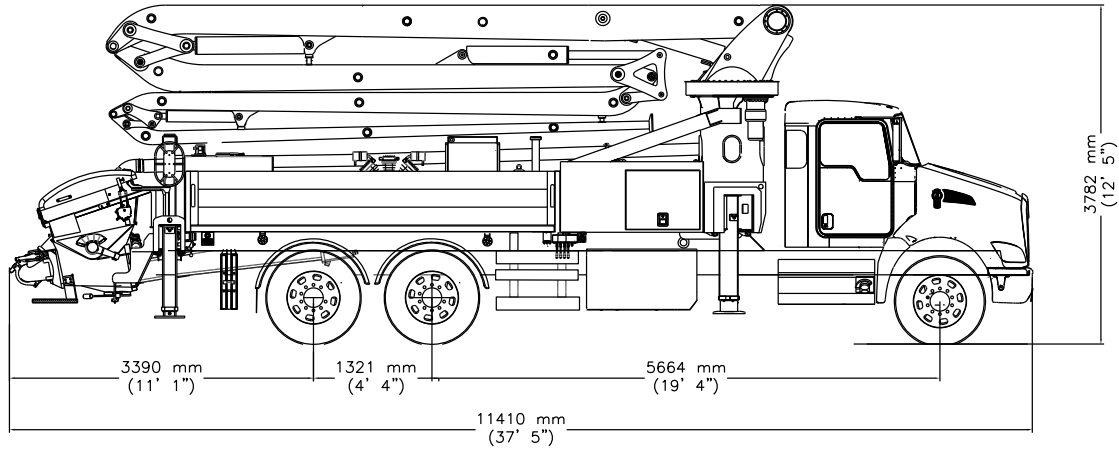


**BST 30 – 4Z**



Note : Standard pump model is BST 30.14 4Z.

Dimensions may vary depending on truck model.

Pump	BST 30.14 4Z	BST 30.16 4Z
Theo. Conc. Output (Piston Side)	140 m <sup>3</sup> / h (183,11 y <sup>3</sup> / h)	160 m <sup>3</sup> / h (209,27 y <sup>3</sup> / h)
Theo. Conc. Pressure (Piston Side)	81 bar (1174,80 psi)	81 bar (1174,80 psi)
Stroke	26 Stroke / min	26 Stroke / min
Concrete Cylinder Dimensions	230 mm x 2100 mm (9,05" X 82,68")	250 mm X 2100 mm (9,84" X 82,68")

**Standard Equipments**

Hopper Capacity	: 650 liter (171,71 gal)
Main Hydraulic Pump	: 2 x A4 VG 125 Tandem (REXROTH)
Switching System	: Proximity switch
Concrete Valve	: S, Valve System
Electric Box	: Waterproof and PLC controlled
Remote Control	: Included (HETRONIC)
End Hose	: 3 m ( 9' 10")
Water Pump	: 67 lpm (17,7 gpm)
Water Tank Capacity	: 650 liter(171 gal) and hose 15m(49' 2")
Lubrication System	: Hydraulic (LINCOLN)
Driven by	: Gear box

**Boom System**

Boom Type	: 4Z
Sections	: 4
Boom Swing Speed	: 104 sec
Boom Swinging Angle	: 365°
Concrete Pipe Diameter	: 125 mm (5,5")

**Support Leg System**

Front Legs	: X
Rear Legs	: Sliding support

**Control System**

■ Smartstar Control
■ Color LCD
■ Rear Keyboard
■ Diagnostic
■ Fuel Saving Mode

**Options**

■ Hopper vibrator
■ Hydraulic driven fan
■ Stability control
■ Air compressor
■ End hose squeezer
■ High pressure cleaning kit (140 bar / 2030 psi)
■ Side box
■ Betonstar IoT system
■ Remote control(HBC)
■ Auto unfolding
■ Water and oil tank heater

**Diagrams**

