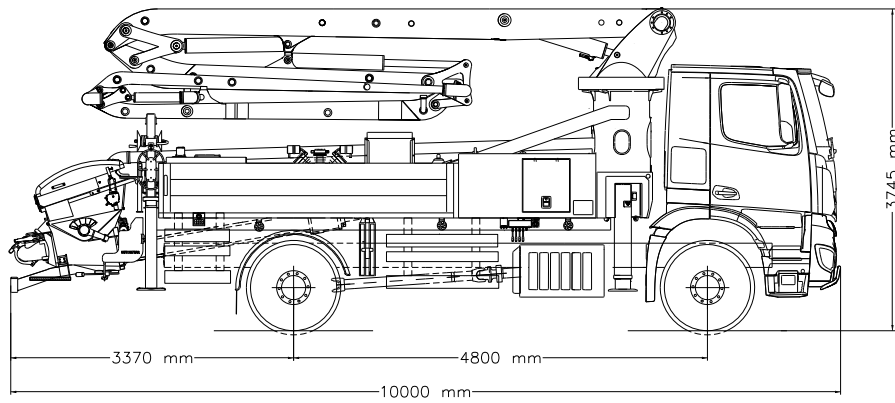


BST 24 – 4ZR



Note : Standard version model is BST 24.90 4ZR.

Dimensions may vary depending on truck model.

Pump	BST 24.90 4ZR	BST 24.14S 4ZR	BST 24.16S 4ZR
Theo. Conc. Output (Piston Side)	90 m ³ / h	140 m ³ / h	160 m ³ / h
Theo. Conc. Pressure (Piston Side)	81 bar	81 bar	81 bar
Stroke	26 Stroke / min	29 Stroke / min	29 Stroke / min
Concrete Cylinder Dimensions	230 mm x 1400 mm	230 mm x 1900 mm	250 mm x 1900 mm

Standard Equipments

Hopper Capacity	: 650 liter
Switching System	: Elect. Magn. Sensor
Concrete Valve	: S, Valve System
Electric Box	: Waterproof and PLC controlled
Remote Control	: Included (HETRONIC)
End Hose	: 3 m
Water Pump	: 67 lpm
Water Tank Capacity	: 500 liter and hose 15 m
Lubrication System	: Hydraulic (LINCOLN)
Driven by	: PTO or gear box

Boom System

Boom Type	: 4ZR
Sections	: 4
Boom Swing Speed	: 104 sec
Boom Swinging Angle	: 365°
Concrete Pipe Diameter	: 125 mm

Support Leg System

Front Legs	: X
Rear Legs	: Fixed

Control System

- Smartstar Control
- Color LCD
- Rear Keyboard
- Diagnostic
- Fuel Saving Mode

Options

- Hopper vibrator
- Hydraulic driven fan
- Stability control
- Air compressor
- End hose squeezer
- High pressure cleaning kit (140 bar)
- Side box
- Betonstar IoT system
- Remote control(HBC)
- Auto unfolding
- Water and oil tank heater

Diagrams

