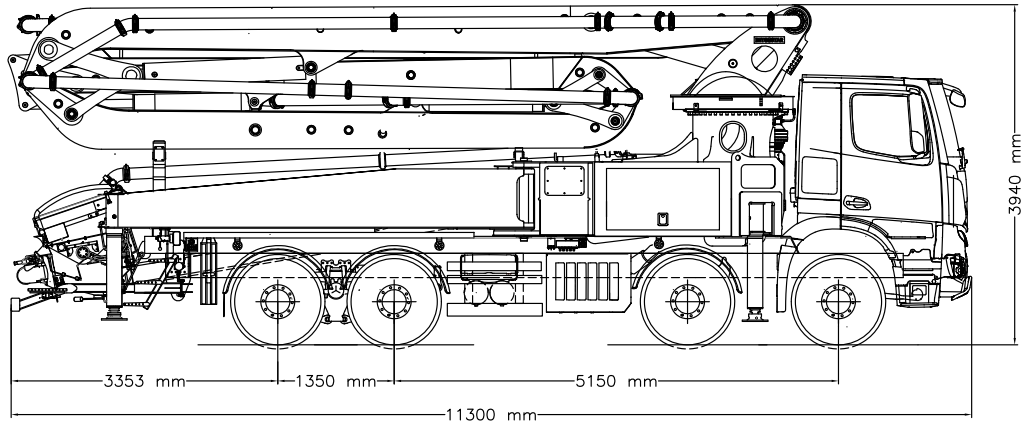


BST 43 – 5RZ



Note : Standard pump model is BST 43.14H 5RZ.

Dimensions may vary depending on truck model.

Pump	BST 43.14H 5RZ	BST 43.16 5RZ
Theo. Conc. Output(max) (Piston Side)	140 m ³ / h	160 m ³ / h
Theo. Conc. Pressure(max) (Piston Side)	81 bar	81 bar
Stroke	26 Stroke / min	26 Stroke / min
Concrete Cylinder Dimensions	230 mm x 2100 mm	250 mm X 2100 mm

Standard Equipments

Hopper Capacity	: 650 liter
Switching System	: Elect. Magn. Sensor
Concrete Valve	: S, Valve System
Electric Box	: Waterproof and PLC controlled
Remote Control	: Included (HETRONIC)
End Hose	: 3 m
Water Pump	: 67 lpm
Water Tank Capacity	: 650 liter and hose 15m
Lubrication System	: Hydraulic (LINCOLN)
Driven by	: PTO or gear box

Boom System

Boom Type	: 5RZ
Sections	: 5
Boom Swing Speed	: 180 sec
Boom Swinging Angle	: 365°
Concrete Pipe Diameter	: 125 mm

Support Leg System

Front Legs	: X
Rear Legs	: Side Hydraulic Swing

Control System

■ Smartstar Control
■ Color LCD
■ Rear Keyboard
■ Diagnostic
■ Fuel Saving Mode

Options

■ Hopper vibrator
■ Hydraulic driven fan
■ Stability control
■ Air compressor
■ End hose squeezer
■ High pressure cleaning kit (140 bar)
■ Betonstar IoT system
■ Remote control(HBC)
■ Auto unfolding
■ Water and oil tank heater

Diagrams

