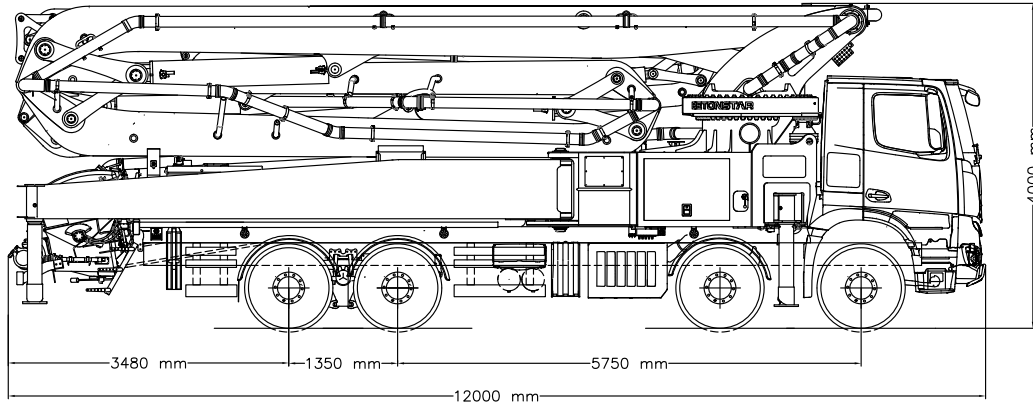


BST 58 – 7RZ



Note : Standard pump model is BEST 58.14H 7RZ.

Dimensions may vary depending on truck model.

Pump	BST 58.14H 7RZ	BST 58.16 7RZ
Theo. Conc. Output(max) (Piston Side)	140 m ³ / h	160 m ³ / h
Theo. Conc. Pressure(max) (Piston Side)	81 bar	81 bar
Stroke	26 Stroke / min	26 Stroke / min
Concrete Cylinder Dimensions	230 mm x 2100 mm	250 mm X 2100 mm

Standard Equipments

Hopper Capacity	: 650 liter
Switching System	: Elect. Magn. Sensor
Concrete Valve	: S, Valve System
Electric Box	: Waterproof and PLC controlled
Remote Control	: Included (HETRONIC)
End Hose	: 3 m
Water Pump	: 67 lpm
Water Tank Capacity	: 650 liter and hose 15 m
Lubrication System	: Hydraulic (LINCOLN)
Driven by	: PTO or gear box

Boom System

Boom Type	: 7RZ
Sections	: 7
Boom Swing Speed	: 247 sec
Boom Swinging Angle	: 365°
Concrete Pipe Diameter	: 125 mm

Support Leg System

Front Legs	: X
Rear Legs	: Side Hydraulic Swing

Control System

Smartstar Control	
Color LCD	
Rear Keyboard	
Diagnostic	
Fuel Saving Mode	

Options

- Hopper vibrator
- Hydraulic driven fan
- Stability control
- Air compressor
- End hose squeezer
- High pressure cleaning kit (140 bar)
- Betonstar IoT system
- Remote control(HBC)
- Auto unfolding
- Water and oil tank heater

Diagrams

