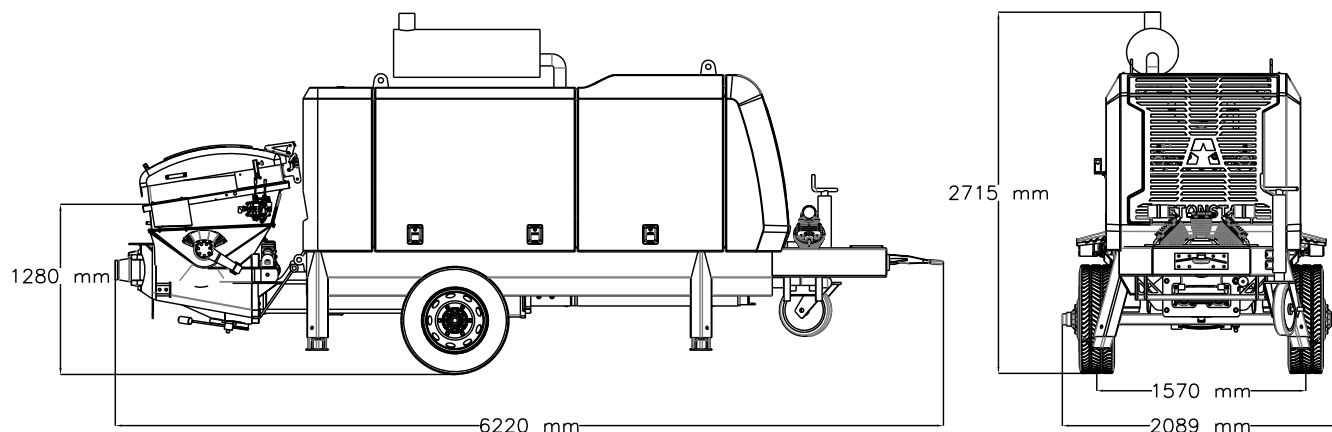


BSS 14.90D



General

Weight : 4.750 kg

Engine*

Power : 160 kW (214 hp)(Diesel)

Pumping Unit

	Theo. Conc. Output(max)	: 90 m ³ /h
Rod side	Theo. Conc. Pressure(max)	: 71 bar
	Stroke	: 34 Stroke / min
	Theo. Conc. Output(max)	: 61 m ³ /h
Piston side	Theo. Conc. Pressure(max)	: 106 bar
	Stroke	: 23 Stroke / min
Concrete Valve	: S valve system	
Switch-over pressure S-tube	: 190 bar	
Delivery cylinders diameter	: 200 mm	
Delivery cylinders stroke	: 1400 mm	
Hopper capacity	: 650 lt	
Hopper outlet diameter	: 125 mm	
Lateral output pipeline	: 150 mm	
Switching System	: Elect. Magn. Sensor	
Lubrication System	: Hydraulic (LINCOLN)	
Electric Box	: Waterproof and PLC controlled	

Options

- Hopper vibrator
- Hydraulic driven fan
- Betonstar IoT system
- Remote control(HBC)
- Air Compressor
- High pressure cleaning kit (140 bar)
- Water pump (67 lpm)
- Water tank (500 lt and hose 15 m)

Control

- Smartstar Control
- Color LCD
- Diagnostic
- Fuel Saving Mode
- Remote Control

(*) Engine power and norm values vary according to the engine brand.