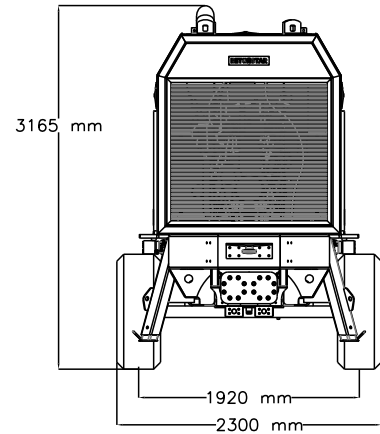
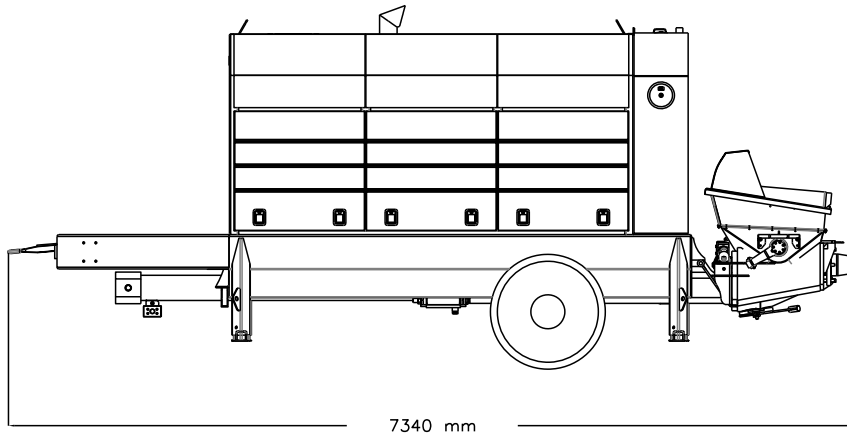


**BSS 36.000**



**General**

Weight : 10.500 kg

**Engine\***

Power : 515 kW (700 hp)(Diesel)

**Pumping Unit**

<b>Rod side</b>	Theo. Conc. Output(max)	: 103 m <sup>3</sup> /h
	Theo. Conc. Pressure(max)	: 153 bar
	Stroke	: 27 Stroke / min
<b>Piston side</b>	Theo. Conc. Output(max)	: 74 m <sup>3</sup> /h
	Theo. Conc. Pressure(max)	: 224 bar
	Stroke	: 19 Stroke / min
Concrete Valve	: S valve system	
Switch-over pressure S-tube	: 190 bar	
Delivery cylinders diameter	: 200 mm	
Delivery cylinders stroke	: 2100 mm	
Hopper capacity	: 650 lt	
Hopper outlet diameter	: 125 mm	
Lateral output pipeline	: 150 mm	
Switching System	: Elect. Magn. Sensor	
Lubrication System	: Hydraulic (LINCOLN)	
Electric Box	: Waterproof and PLC controlled	

**Options**

- Hopper vibrator
- Hydraulic driven fan
- Betonstar IoT system
- Remote control(HBC)
- Air Compressor
- High pressure cleaning kit (140 bar )
- Water pump (67 lpm)
- Water tank (500 lt and hose 15 m)

**Control**

- Smartstar Control
- Color LCD
- Diagnostic
- Fuel Saving Mode
- Remote Control

(\* ) Engine power and norm values vary according to the engine brand.