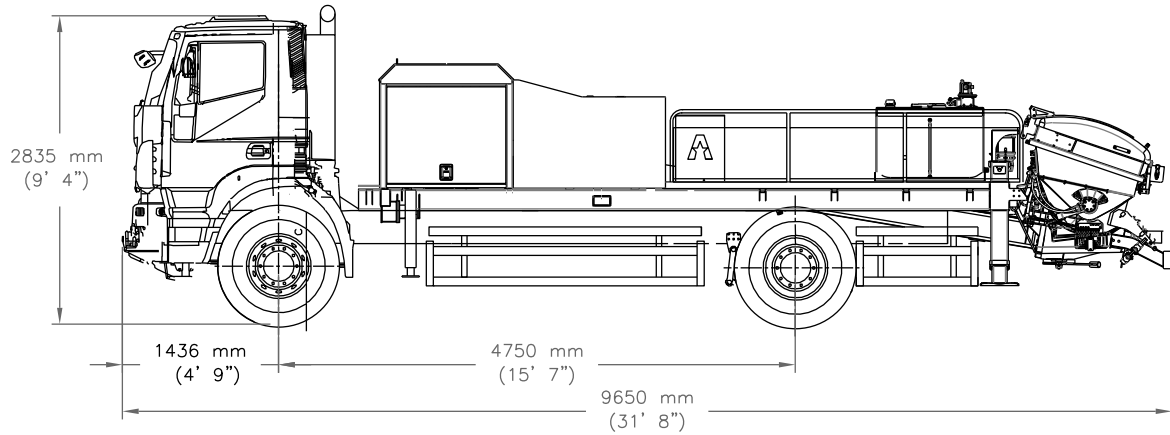


**BSS 21.90 CP**



Note :Dimensions may vary depending on truck model.

**General**

Weight(without truck) : 11.840 kg (26.102 lbs)

**Engine\***

Power : 265 kW (360 hp)

**Pumping Unit**

Theo. Conc. Output(max) : 90 m<sup>3</sup>/h (117,71 y<sup>3</sup> / h)

Theo. Conc. Pressure(max) : 92 bar (1334,35 psi)

Stroke : 24 Stroke / min

Theo. Conc. Output(max) : 60 m<sup>3</sup>/h (78,48 y<sup>3</sup>/h))

Theo. Conc. Pressure(max) : 148 bar (5146,20 psi)

Stroke : 15 Stroke / min

Concrete Valve : S valve system

Switch-over pressure S-tube : 190 bar (2755,72 psi)

Delivery cylinders diameter : 200 mm (7,87")

Delivery cylinders stroke : 2100 mm (82,67")

Hopper capacity : 650 lt (171,71 gal)

Hopper outlet diameter : 125 mm (5,5")

Hopper height : from the ground 2000 mm (78,74")

Lateral output pipeline : 150 mm (6")

Maximun outlet agitator : 32,9 rpm

Switching System : Elect. Magn. Sensor

Lubrication System : Hydraulic (LINCOLN)

Driven by : PTO or gearbox

**Hydraulic System**

Max. hydraulic pressure : 350 bar (5076,32 psi)

**Control**

Remote control : Included (HETRONIC)

Control : Smartstar

Color LCD : Included

Diagnostic : Included

Fuel saving mode : Included

Electric box : Waterproof and PLC controlled

**Water Pump**

Power : 3 kW

Water pressure (max.) : 13 bar (188,55 psi)

Water flow : Water flow

Pump speed : 2900 rpm

Hydraulic pressure : 210 bar (3045,8 psi)

Water hose : 15 m (49' 2")

**Water Tank**

Water tank capacity : 650 lt(171 gal)

Material : Plastic

**Options**

Hydraulic motor driven : 5,5 kW

■ Air Compressor Working pressure : 15 bar(217 psi)

Supplied air flow capacity : 555 l/min (146.61 gpm)

Power : 4 kW

Water pressure : 150 bar (2175,57 psi)

■ High pressure Water flow : 18 l/min (4,75 gpm)

cleaning kit Hydraulic pressure : 210 bar (3045,8 psi)

Hose reel : Automatic hose reel

■ Hopper vibrator (Electric)

■ Hydraulic driven fan

■ Betonstar IoT system

■ Remote control(HBC)

(\* ) Engine power and norm values vary according to the engine brand.